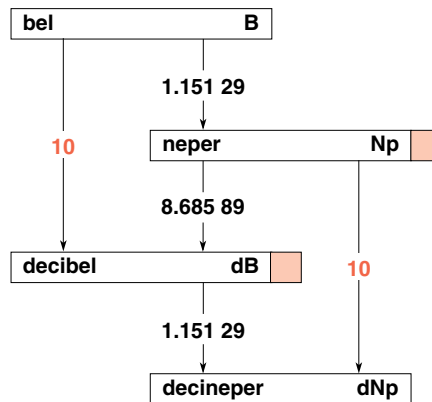


VISUALIZING SI UNITS

POWER LEVEL DIFFERENCE or FIELD LEVEL DIFFERENCE (*D*)



Example 1: Convert 80 decibels to nepers

Solution : $80 \text{ dB} = 80 (\div 8.685 \text{ 89}) \text{ Np} = 9.21 \text{ Np}$

Example 2: Convert 7 nepers to decibels

Solution : $7 \text{ Np} = 7 (\times 8.685 \text{ 89}) \text{ dB} = 60.80 \text{ dB}$